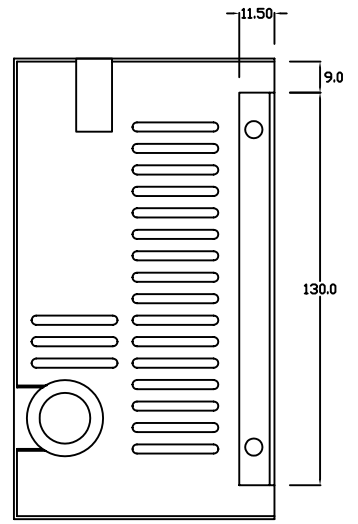
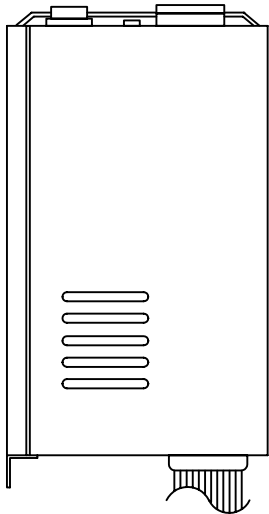
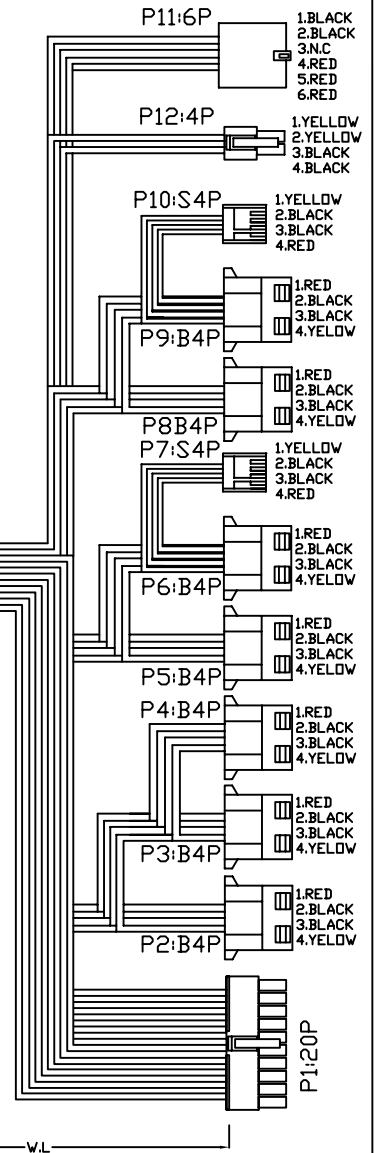
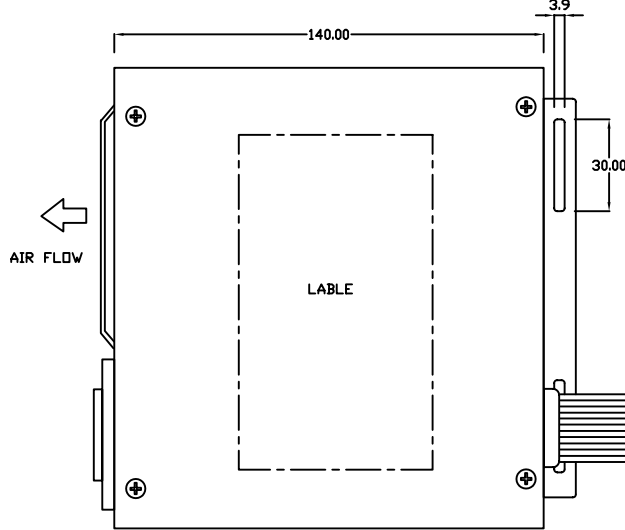
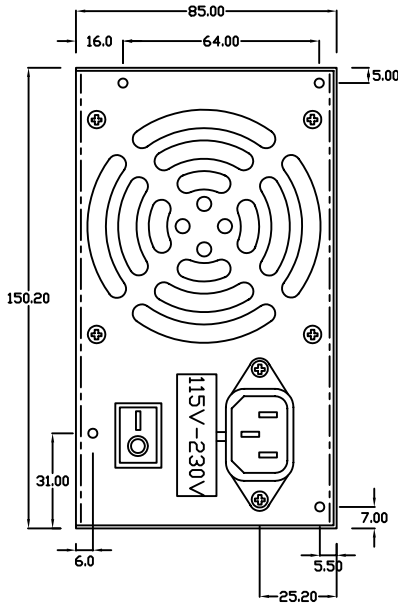


ATX V2.03
 450W OUTPUT CONNECTORS: B4P+B4P+S4P*2,
 B4P+B4P+B4P*1

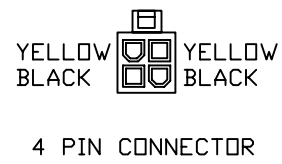
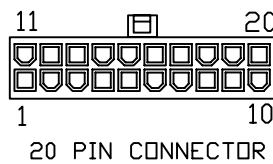
450W		P.N
P.N	W.L (±20mm)	
P1	630mm	20P
P2	650mm	B4P
P3	800mm	B4P
P4	900mm	B4P
P5	650mm	B4P
P6	800mm	B4P
P7	950mm	S4P
P8	650mm	B4P
P9	800mm	B4P
P10	950mm	S4P
P11	650mm	6P
P12	650mm	4P(+12V)



NOTE:
 W.L=WIRE LENGTH
 P.N=PIN NO.



- | | |
|-----------------|------------------|
| 1.ORANGE: +3.3V | 11.ORANGE: +3.3V |
| 2.ORANGE: +3.3V | 12.BLUE: -12V |
| 3.ORANGE: COM. | 13.BLACK: COM. |
| 4.RED: +5V | 14.GREEN: PS-ON |
| 5.BLACK: COM. | 15.BLACK: COM. |
| 6.RED: +5V | 16.BLACK: COM. |
| 7.BLACK: COM. | 17.BLACK: COM. |
| 8.GREY: P.G | 18.WHITE: -5V |
| 9.PURPLE: +5Vsb | 19.RED: +5V |
| 10.YELLOW: +12V | 20.RED: +5V |



TITLE	ATXA-POWER CASE, Version 'C'			MATERIAL	
MODEL	PW-450ATXA V2.03			TOLERANCE	±0.5
DWG. NO	EG-CT-xxx	UNIT	mm	DESCRIPTION:	
PART NO.		SCALE	1 : 1		
DRAWN	CHECKED	APPROVED	REV.	A	
OSCAR			DATE	09.13.2002	